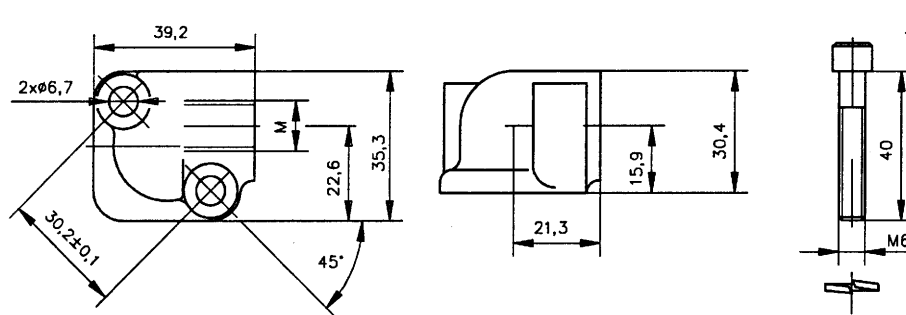
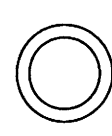
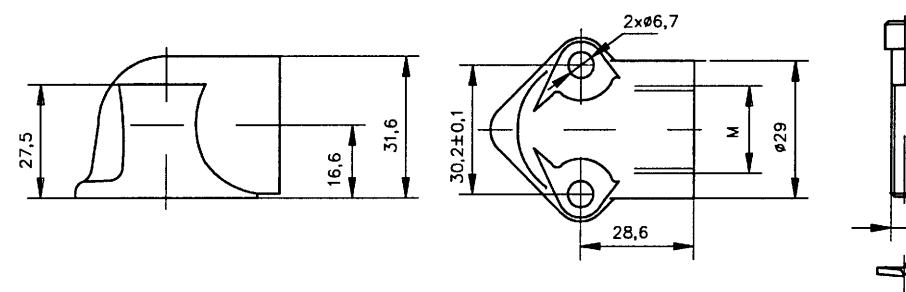
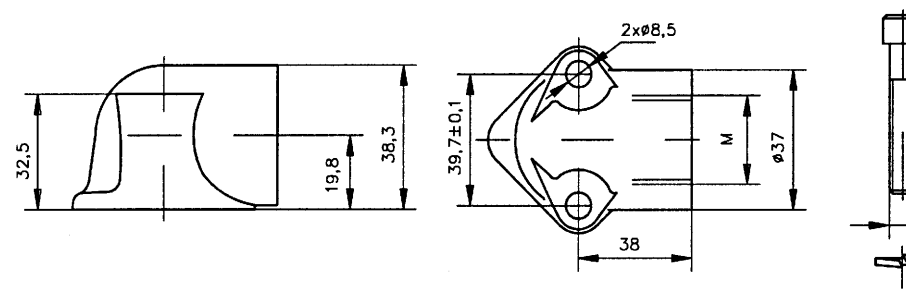
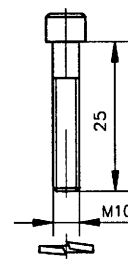
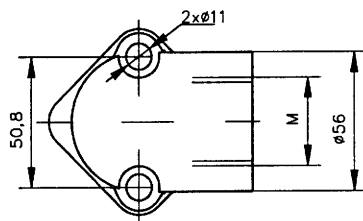
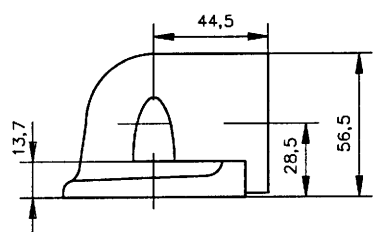


	Type Typ Tun	M
	K1M12	M12 x 1.5
	K1G1/4	G 1/4
	K1G3/8	G 3/8
		"O" - ring 15,5x2,6 
	K2M18	M18 x 1.5
	K2G1/2	G 1/2
	K3M22	M22 x 1.5
	K3G3/4	G 3/4

Type Typ Tun	M
--------------------	---

K4M30	M30 x 2
-------	---------

K1G1	G 1
------	-----



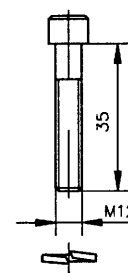
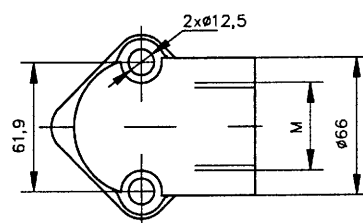
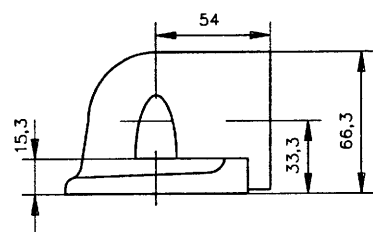
"O" - ring 29,7x3,5



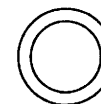
Type Typ Tun	M
--------------------	---

K5M42	M42 x 2
-------	---------

K5G1 1/4	G 1 1/4
----------	---------



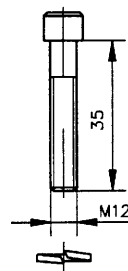
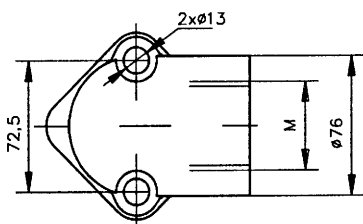
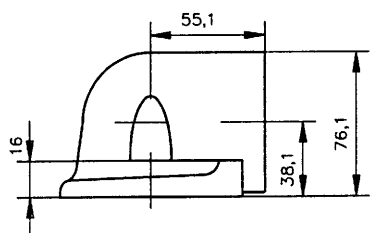
"O" - ring 37,7x3,5



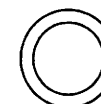
Type Typ Tun	M
--------------------	---

K6M45	M45 x 2
-------	---------

K6G1 1/2	G 1 1/2
----------	---------

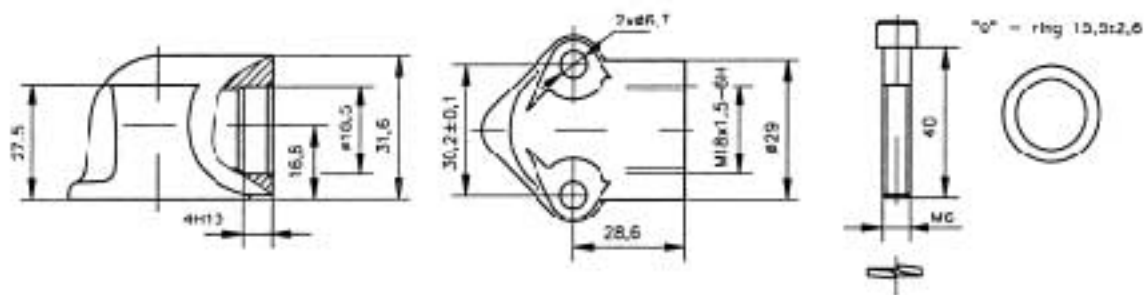


"O" - ring 44,5x3,5



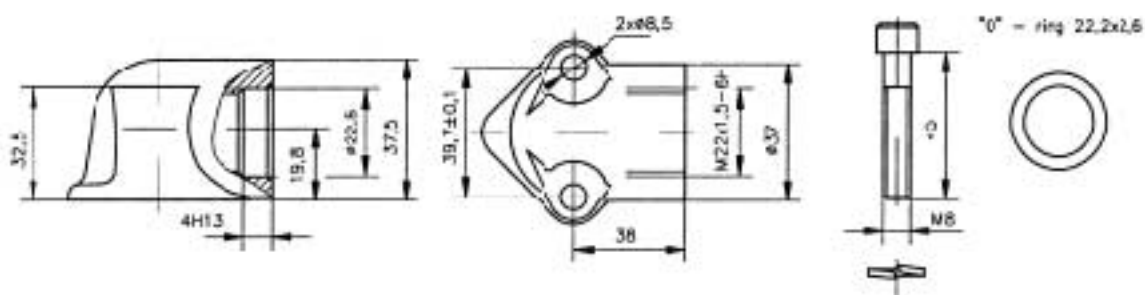
Type
Typ
un

K2L



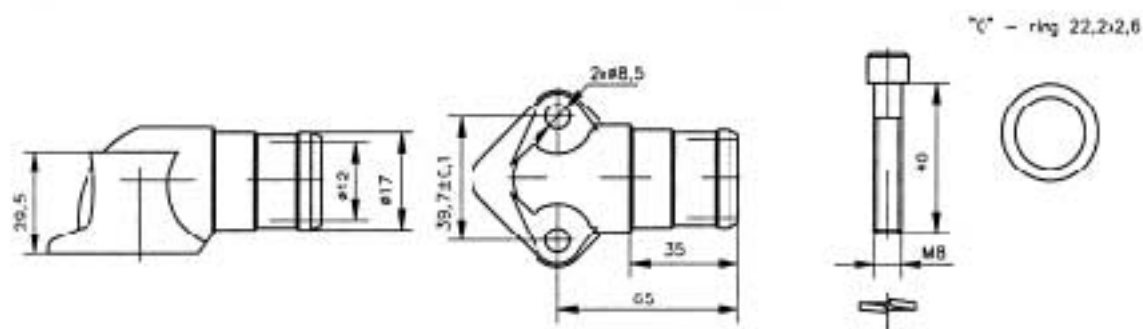
Type
Typ
Tun

K3L



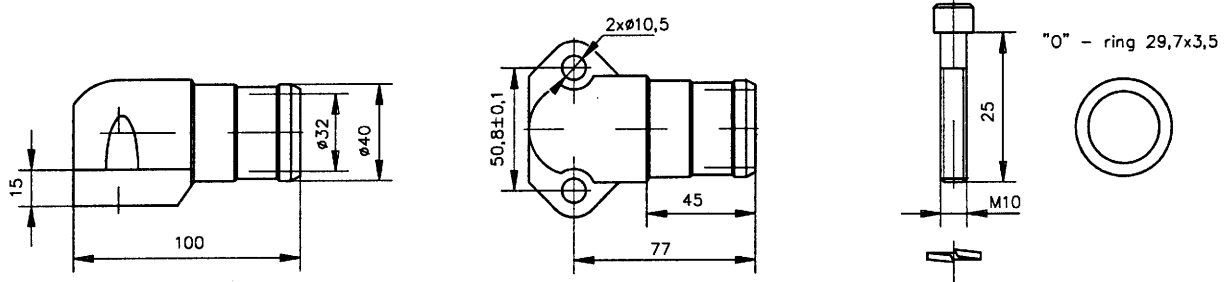
Type
Typ
Tun

F2



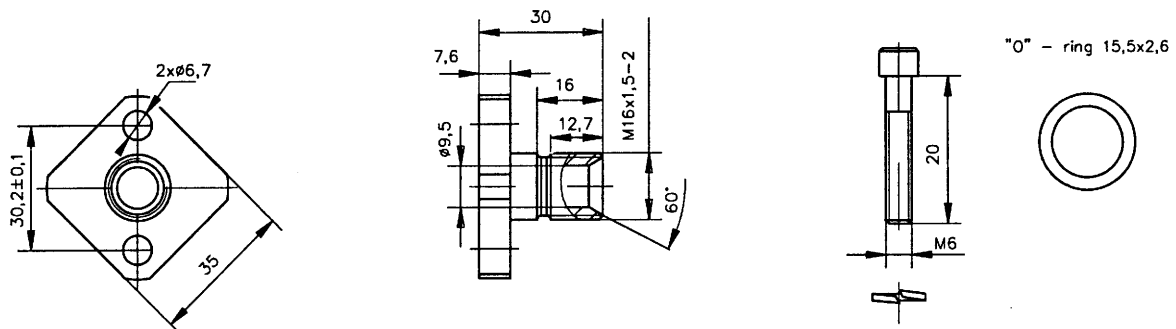
Type
Typ
Tun

F3



Type
Typ
Tun

KP1



Type
Typ
Tun

KP2

